

RAZ AT

A stainless steel, tilt-in-space shower chair



The RAZ AT is a stainless steel, tilt-in-space shower chair with best-in-class postural and pressure management.

The Raz AT is a multi-adjustable chair with a range of seat heights, seat depths, armrest heights and backrest angle adjustments as standard which allows movement within the frame to best suit the patient and the environment. The use of IPAS (Ischial pelvic alignment system), allows the aperture to be aligned with a user's pelvis and the contoured soft foam goes further in reducing pressure.

- Stainless steel chassis – maximises durability and eliminates rust
- Height adjustable seat – easily configured to accommodate transfers
- Adjustable seat depth – grows with the user over time
- Tension adjustable backrest – supports posture and provides lateral support
- Tilt-in-Space to 40° – excellent for pressure management and comfort
- Flip-up armrests - increased access and improved transfers
- Up to 157kg weight capacity



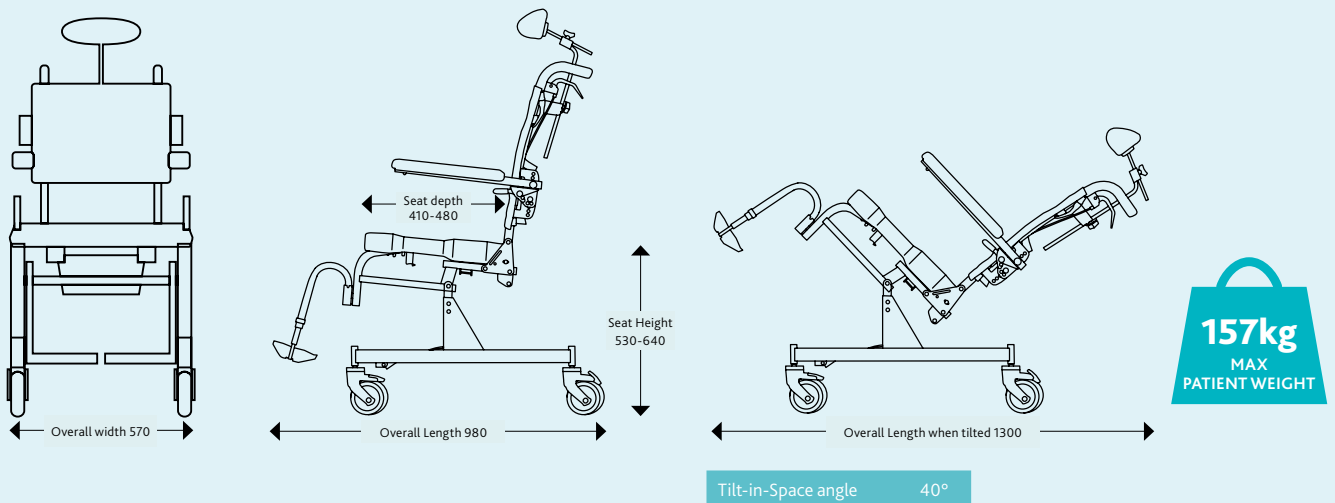
The Raz AT features a hydraulically adjustable chassis achieving up to 45° tilt and with an upgrade, a hydraulic back angle can be provided. The AdjustaBack offers tension-adjustment in the backrest to provide postural support to spinal curvatures and can offer a degree of lateral support. The AT is also available with a wide chassis base which provides greater clearance for automatic WC's such as Aquaclean 8000.

Accessories for the chairs include: lateral supports, side access and special shape seating, elevating legrests and lateral supporting head supports. The chairs can also be fitted with a range of positioning aids like pelvic straps, ankle supports and chest harness.



RAZ Shower Chairs feature a 5 year warranty as standard, for your peace of mind.

Key Dimensions (in mm)



Key Features



Order code – N0001

WHO WE WORK WITH

Care Homes
Budget Holders

Occupational Therapists
Case Managers

Hospitals/Hospices
Schools

