

Talon Olive Range

Copper & Brass Olives

Compression Olives offer an easy to fit colours & sizes a solution to sealing compression joints. Olives are available to fit the joining pipe in a variety of sizes from 8mm to 54mm. Olives are ideally suitable for use with compression joints and copper or plastic pipe. Supplied in either copper or brass the olive fits directly to the intended connecting end of the pipe. When compressed the olive forms an air and watertight seal that will hold the pipe securely within the grip of the joint. When installed properly Talon olives form part of air or watertight seal on a compression fitting. It is important the olive is installed to meet specific guidelines set by the compression fitting supplier.

Colours & sizes

Copper		Brass	
8mm	3/4	8mm	3/4
10mm	35mm	10mm	35mm
15mm	42mm	15mm	42mm
22mm	54mm	22mm	54mm
28mm		28mm	

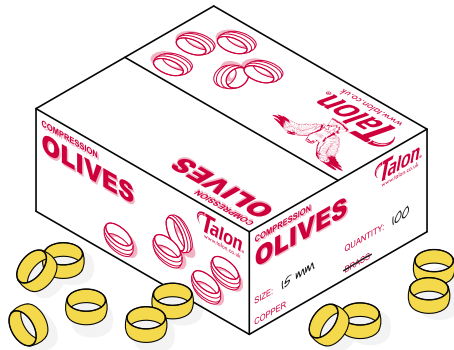


Brass

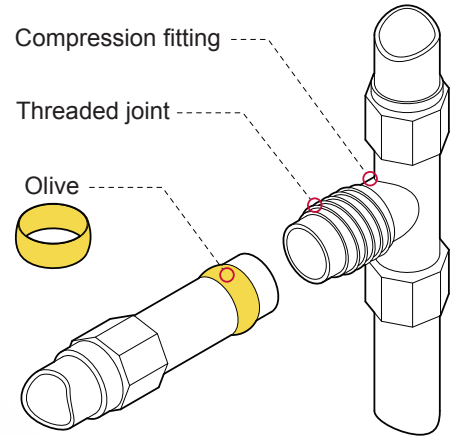
Copper



How to Install Talon Olives

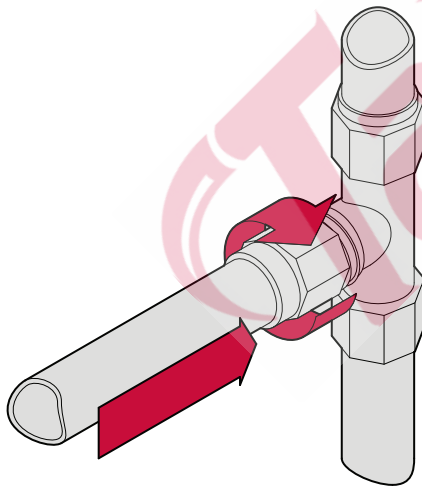


Talon offer Brass & Copper Olives in various sizes for metal compression joints.



Step 1

Unscrew the compression joint, slide the Olive onto the pipe.

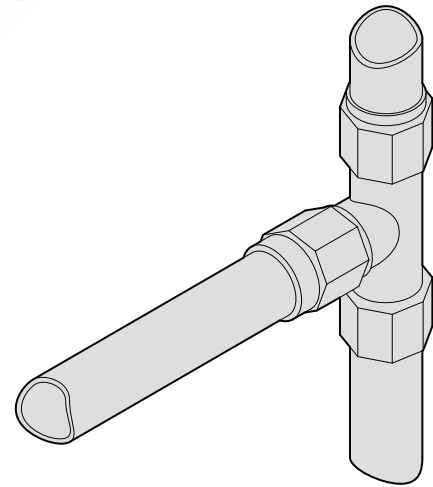


Step 2

Slide the pipe into the fitting (see fitting suppliers guidelines) and tighten the joint.

Important: As the joint is tightened the compression olive will be compressed to form part of a water / airtight barrier within the fitting.

Make sure the Olive is over the pipe when tightening.



Step 3

Use an olive for each joint repeating the same process. Test all joints before use.

Important: These instructions are offered as a general guide only. When using Talon olives always check the fitting suppliers guidelines and specific installation instructions for compatibility, correct and safe use.