









Talon Metal Clip Range

Metal Clips

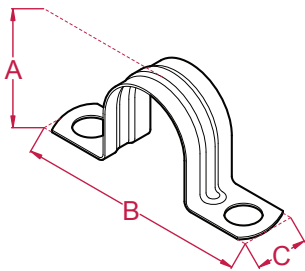
Talon offer a wide range of Metal Clips, brackets and fixings to compliment the Talon Plastic Clip Range.

Colours & sizes

<p>Hospital Bracket Cast Brass</p>  <p>Brass Chrome</p> <p>15mm 15mm</p> <p>22mm 22mm</p> <p>28mm 28mm</p>	<p>Copper Saddle</p>  <p>Copper Chrome</p> <p>15mm 15mm</p> <p>22mm 22mm</p> <p>28mm 28mm</p>	<p>Screw-on Bracket Pressed Brass</p>  <p>Brass Chrome</p> <p>15mm 15mm</p> <p>22mm 22mm</p> <p>28mm 28mm</p>	<p>Double Ring Cast Brass</p>  <p>Brass</p> <p>15mm</p> <p>22mm</p> <p>28mm</p>
<p>Single Ring Cast Brass</p>  <p>Brass Chrome</p> <p>15mm 15mm</p> <p>22mm 22mm</p> <p>28mm 28mm</p>	<p>Backplates Cast Brass</p>  <p>Brass Chrome</p> <p>10mm 10mm</p> <p>Female & Male</p>	<p>Single Ring & Backplate Cast Brass</p>  <p>Brass Chrome</p> <p>15mm 15mm</p> <p>22mm 22mm</p> <p>28mm 28mm</p>	<p>Screw-on Bracket Cast Brass</p>  <p>Brass Chrome</p> <p>15mm 15mm</p> <p>22mm 22mm</p> <p>28mm 28mm</p>

Talon Metal Clip Range

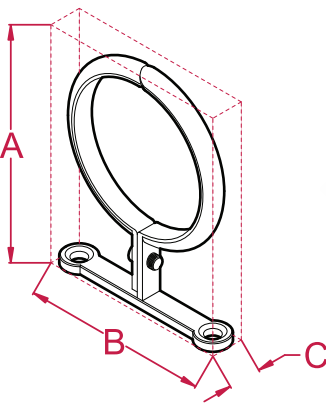
Copper Saddle



Pipe Size (mm)	Code (Copper)	Code (Chrome)	Dim A (mm)	Dim B (mm)	Dim C (mm)	Maximum Load (kN)
15	MCS15	MCSC15	18	41	9.1	Pipe Only
22	MCS22	MCSC22	23.8	52.4	9.1	Pipe Only
28	MCS28	MCSC28	30.6	57.5	11	Pipe Only

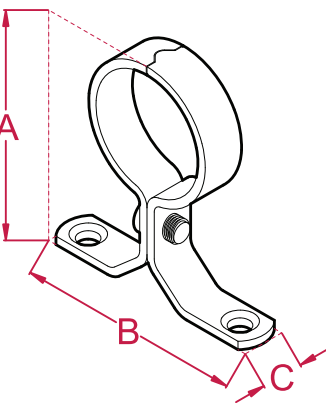
Copper Saddle Product Code	Maximum safe load to apply before distortion occurs in kN & lbs
MCS15	0.1 kN / 20 lbs
MCS22	0.1 / 20
MCS28	0.1 / 20

Screw-on Bracket



Pipe Size (mm)	Code (Brass)	Code (Chrome)	Dim A (mm)	Dim B (mm)	Dim C (mm)	Maximum Load (kN)
15	MCBSB15	MCBSBC15	36.9	40.5	11	Pipe Only
22	MCBSB22	MCBSBC22	45.4	47.9	11.3	Pipe Only
28	MCBSB28	MCBSBC28	52.6	56.8	12.6	Pipe Only

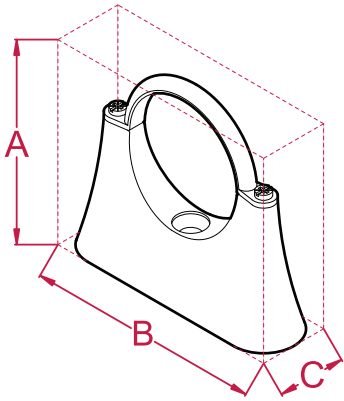
Screw-on Bracket - Pressed Brass



Pipe Size (mm)	Code (Brass)	Code (Chrome)	Dim A (mm)	Dim B (mm)	Dim C (mm)	Maximum Load (kN)
15	MPBSB15	MPBSBC15	40	40.5	8.8	Pipe Only
22	MPBSB22	MPBSBC22	46.6	47.9	10.2	Pipe Only
28	MPBSB28	MPBSBC28	55.6	52.6	11.4	Pipe Only

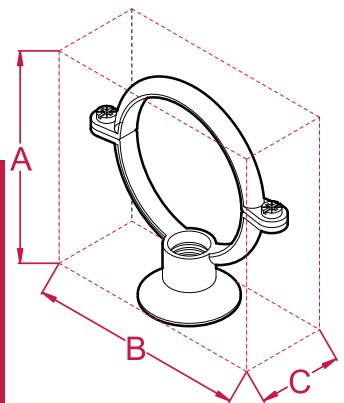
Talon Metal Clip Range

Hospital Bracket



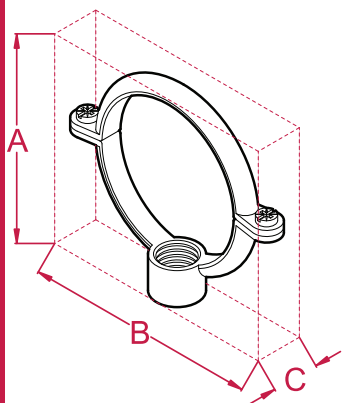
Pipe Size (mm)	Code (Brass)	Code (Chrome)	Dim A (mm)	Dim B (mm)	Dim C (mm)	Maximum Load (kN)
15	MCBHB15	MCBHBC15	29.8	47.2	16.4	2.2
22	MCBHB22	MCBHBC22	35	54.5	17.2	3.5
28	MCBHB28	MCBHBC28	44.7	66.9	21.5	3.5

Single Ring & Backplate



Pipe Size (mm)	Code (Brass)	Code (Chrome)	Dim A (mm)	Dim B (mm)	Dim C (mm)	Maximum Load (kN)
15	MCBSRB15	MCBSRBC15	31.5	41.5	24.1	1.7
22	MCBSRB22	MCBSRBC22	42.8	48	26.7	3.5
28	MCBSRB28	MCBSRBC28	49.2	56	26.8	3.5

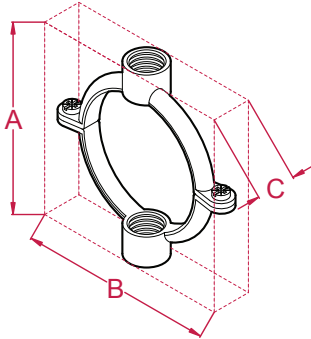
Single Ring



Pipe Size (mm)	Code (Brass)	Code (Chrome)	Dim A (mm)	Dim B (mm)	Dim C (mm)	Maximum Load (kN)
15	MCBSR15	MCBSRC15	26.7	41.9	12.2	0.7
22	MCBSR22	MCBSRC22	34.9	48.2	12.3	2.2
28	MCBSR28	MCBSRC28	43.3	56.5	13.9	2.7

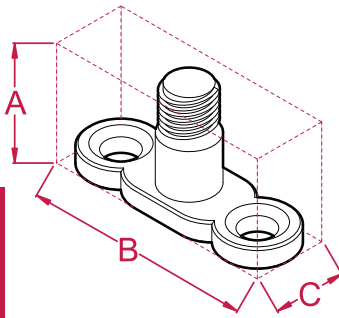
Talon Metal Clip Range

Double Ring



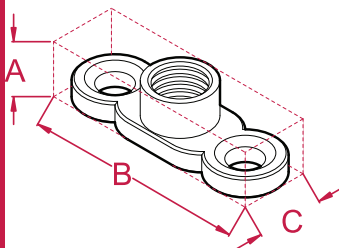
Pipe Size (mm)	Code (Brass)	Code (Chrome)	Dim A (mm)	Dim B (mm)	Dim C (mm)	Maximum Load (kN)
15	MCBDR15	MCBDRC15	33.45	41.8	12.8	1.15
22	MCBDR22	MCBDRC22	41.5	48.2	12.3	1.6
28	MCBDR28	MCBDRC28	52.5	56.1	13.4	3

Male Backplates



Code (Brass)	Code (Chrome)	Dim A (mm)	Dim B (mm)	Dim C (mm)
MCBBM10	MCBBMC10	22.7	49.3	14.3

Female Backplates



Code (Brass)	Code (Chrome)	Dim A (mm)	Dim B (mm)	Dim C (mm)
MCBBF10	MCBBFC10	10.4	48.45	14.1