

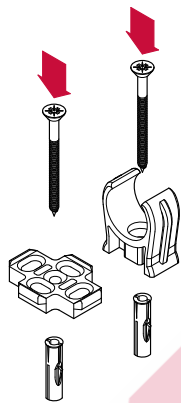
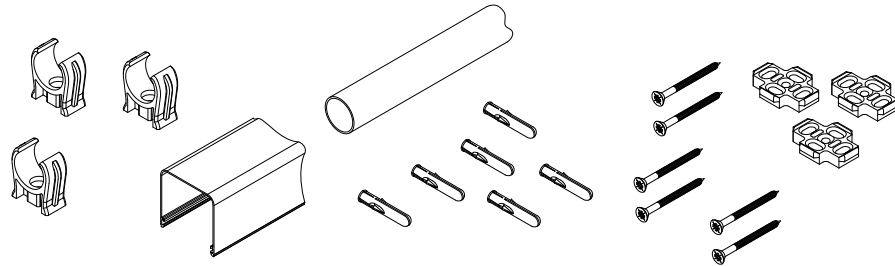
How to - Pipe Cover Backplates

Pipe Cover Backplates

Required for Install...

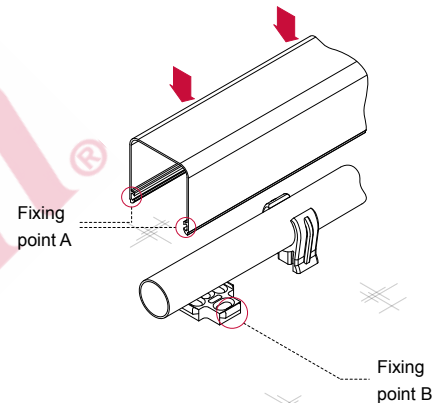
A typical cover installation involving backing plates will need additional fixings. Backing plates required;

- Talon Open Clips or other clips fit for a pipework install.
- Talon Red or Brown Wall Plugs
- Size 10 countersunk screws



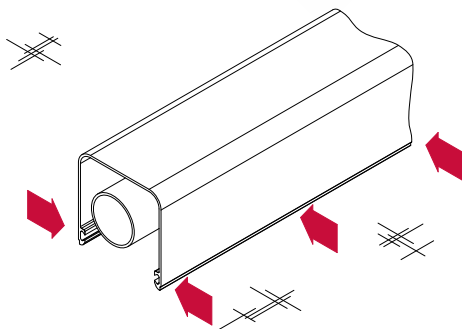
Step 1

Drill required holes and fix the backing plates and pipe clips. Backing plates should be spaced no more than 500mm apart along the pipe cover installation.



Step 2

Install the pipework. Note the backing plate sits under the pipework. A minimum gap of 7mm is required between the fixing surface and the installed pipe.



Step 3

Place the pipe cover over the installation and push fixing points together to finish the installation. Repeat process for additional Pipe Cover.

For more information on Pipe Cover Accessories, see data sheets for more details.

Talon Pipe Cover Accessories

Pipe Cover Accessories

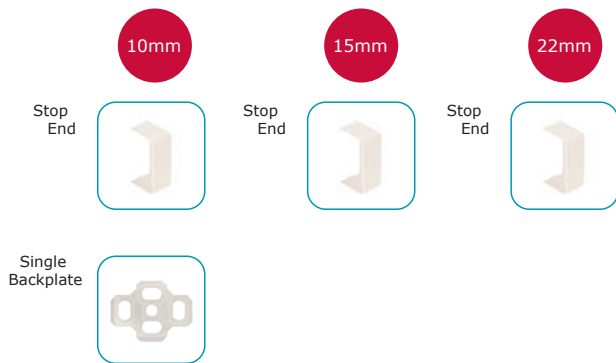
Talon offer a wide range of Pipe Cover Accessories to fit to Talon Pipe Cover and used in conjunction with Talon Skirting Cover.

Colours & sizes

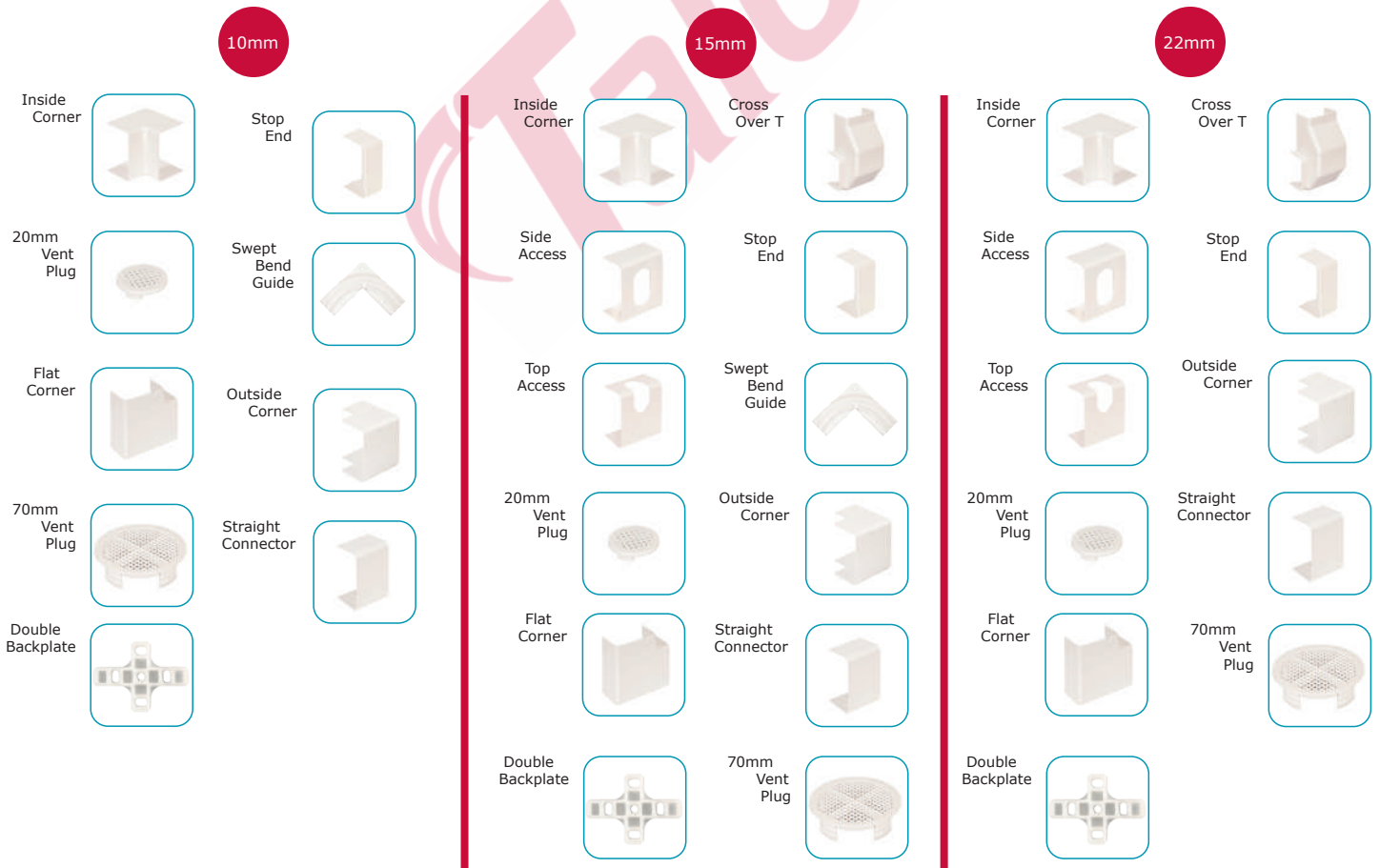


All Pipe Cover Accessories

Single Pipe Cover Accessories

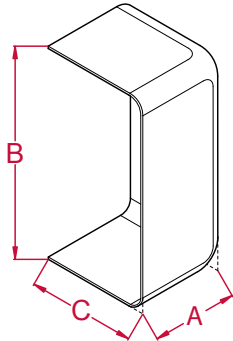


Double Pipe Cover Accessories

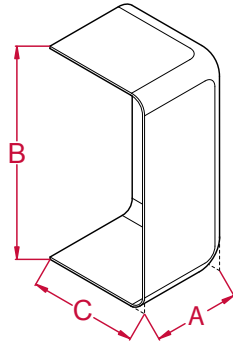


Talon Pipe Cover Accessories

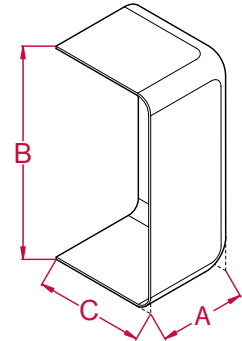
Single Pipe Cover Accessories



AS15SE (15mm)
Stop End
A: 24.8mm **B:** 37.8mm
C: 34.3mm

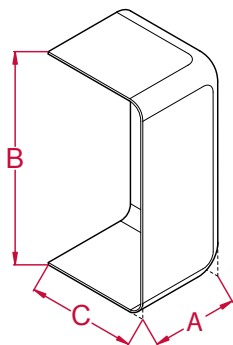


AS22SE (22mm)
Stop End
A: 30mm **B:** 48.4mm
C: 41.8mm

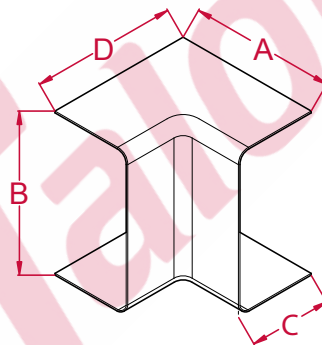


AS28SE (28mm)
Stop End
A: 30mm **B:** 56.4mm
C: 49.6mm

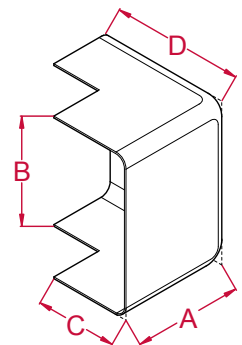
10mm Double Pipe Cover Accessories



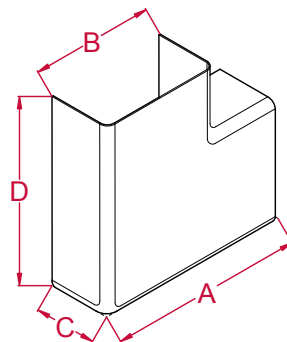
AD10SE (10mm)
Stop End
A: 20mm **B:** 49.2mm
C: 26.5mm



AD10IC (10mm)
Inner Corner
A: 43mm **B:** 49.2mm
C: 26.5mm **D:** 43mm



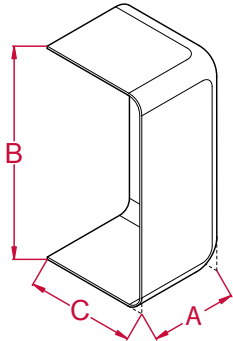
AD10OC
Outer Corner
A: 43mm **B:** 49.2mm
C: 26.5mm **D:** 43mm



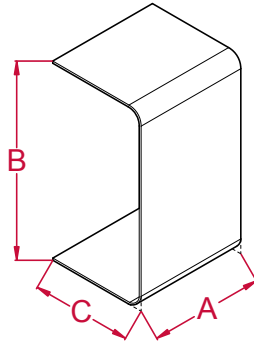
AD10FC
Flat Corner
A: 65.7mm **B:** 49.2mm
C: 26.5mm **D:** 65.7mm

Talon Pipe Cover Accessories

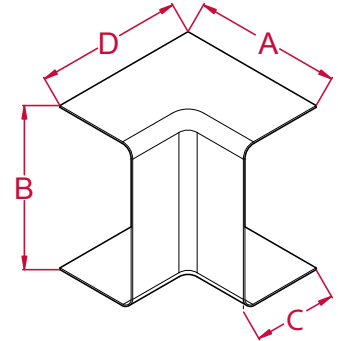
15mm Double Pipe Cover Accessories



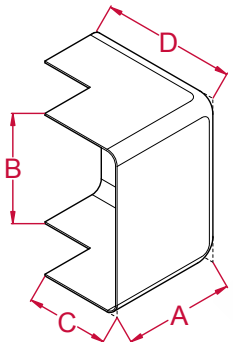
AD15SE
Stop End
A: 25mm **B:** 60.5mm
C: 34mm



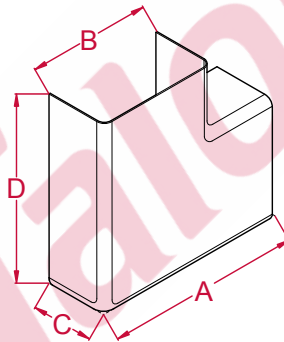
AD15SC
Straight Connector
A: 40mm **B:** 60.5mm
C: 34mm



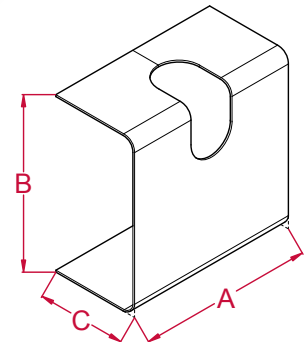
AD15IC
Inner Corner
A: 54mm **B:** 60.5mm
C: 34mm **D:** 54mm



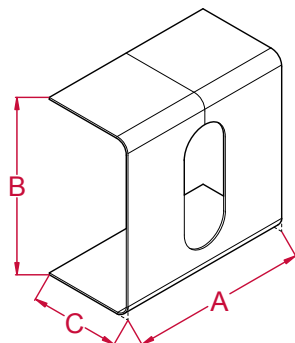
AD15OC
Outer Corner
A: 54mm **B:** 60.5mm
C: 34mm **D:** 54mm



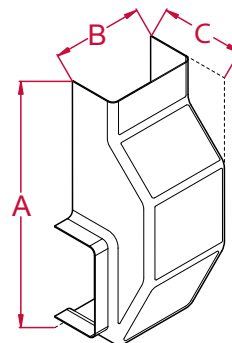
AD15FC
Flat Corner
A: 80mm **B:** 60.5mm
C: 34mm **D:** 80mm



AD15TA
Top Access
A: 50mm **B:** 60.5mm
C: 34mm



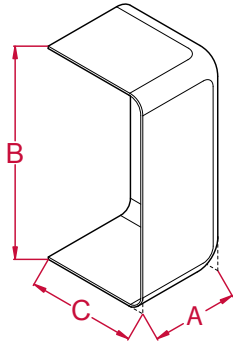
AD15SA
Side Access
A: 50mm **B:** 60.5mm
C: 34mm



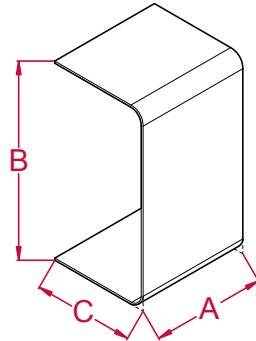
AD15CT
Crossover T Connector
A: 135mm **B:** 60.5mm
C: 63mm

Talon Pipe Cover Accessories

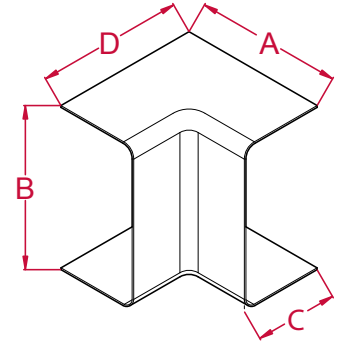
22mm Double Pipe Cover Accessories



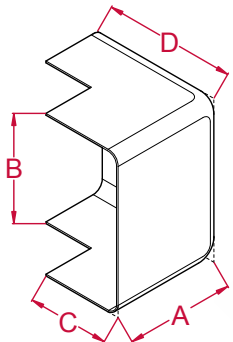
AD22SE
Stop End
A: 30mm **B:** 82mm
C: 41mm



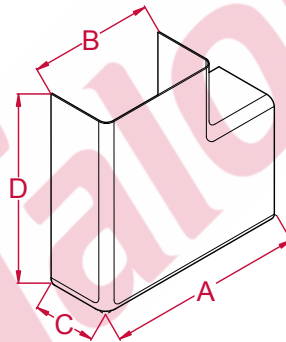
AD22SC
Straight Connector
A: 40mm **B:** 82mm
C: 41mm



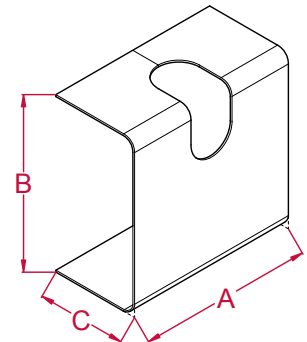
AD22IC
Inner Corner
A: 67mm **B:** 82mm
C: 41mm **D:** 106mm



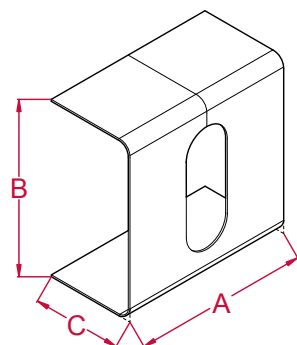
AD22OC
Outer Corner
A: 67mm **B:** 82mm
C: 41mm **D:** 67mm



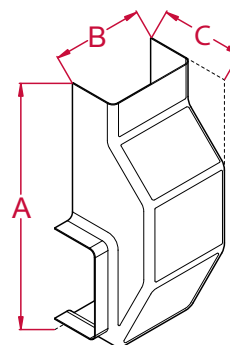
AD22FC
Flat Corner
A: 106mm **B:** 82mm
C: 41mm



AD22TA
Top Access
A: 60mm **B:** 82mm
C: 41mm



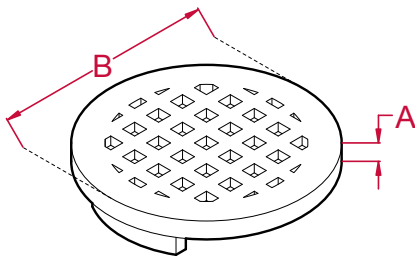
AD22SA
Side Access
A: 60mm **B:** 82mm
C: 41mm



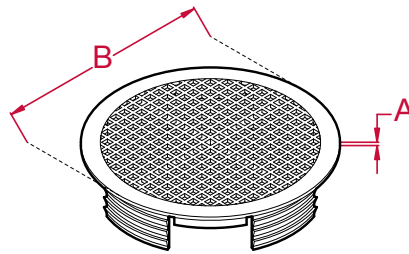
AD22CT
Crossover T Connector
A: 165mm **B:** 82mm
C: 73mm

Talon Pipe Cover Accessories

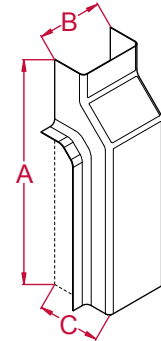
Additional Accessories



AVP20
20mm Vent Plug
A: 2mm **B:** 23.5mm
Drill hole size = 20mm



AVP70
70mm Vent Plug
A: 1.75mm **B:** 80mm
Drill hole size = 70mm

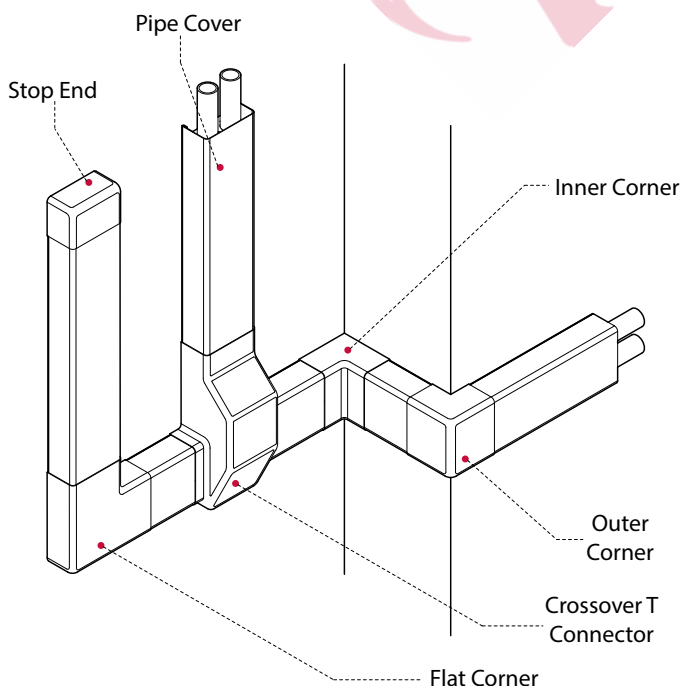


AK105T15 (15mm)
Skirting Cover T Connector
A: 150mm **B:** 62mm
C: 85mm

How to - Pipe Cover Accessories

Talon Pipe Cover Accessories combine in a variety of ways to cover installation work. Accessories are easy fit using uPVC Solvent Weld Glue. The Skirting Crossover T Connector allows Talon Skirting Cover to be connected to Talon Pipe Cover.

Pipe Cover wall assembly example



Pipe Cover to skirting cover assembly example

